

Receiver
From

 Society
 Reference
 Address
 Phone
 Fax
 E-mail

Item n° :

60147200

Model :

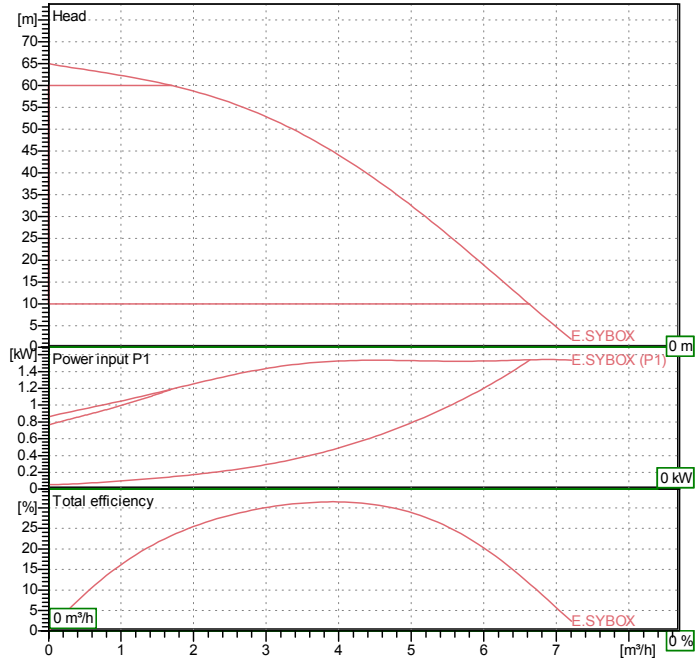
E.SYBOX

Pump data

 Pressure rating : 8 bar (800 kPa)
 Min. fluid temperature : 0 °C
 Max. fluid temperature : 40 °C
 Max. Ambient temperature : 50 °C

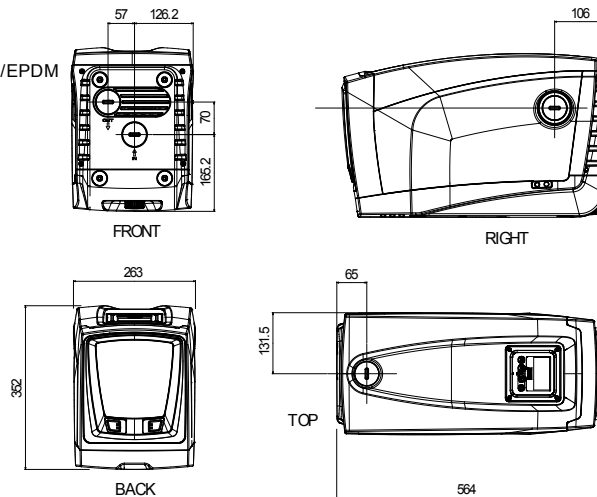
Requested data

 Flow : 0.00 m³/h
 Head : 0.00 m
 Fluid : Water, pure
 Fluid Temperature : 20 °C
 Density : 998.3 kg/m³
 Kinematic viscosity : 1.005 mm²/s
 Vapor pressure : 100.00 kPa

Curve tolerance according to ISO 9906

Materials

Motor flange	Technopolymer
Rotor shaft	AISI 303
Motor liner	Stainless Steel AISI 304
OR ring	NBR
Mechanical seal	Impregnated carbon-resin/Silicon carbide/EPDM
Plugs	Technopolymer
Suction body	Technopolymer
Insert	Brass nickel coated
Shutter	Technopolymer
Spring	AISI 303
Diffuser	Technopolymer
Diffuser body	Technopolymer
Impeller	Technopolymer
Wear ring	Stainless Steel AISI 316
Nut	Stainless Steel AISI 316
Diffuser plug	Technopolymer
Sintered plate	Stainless Steel AISI 304
Pump body	Technopolymer
Discharge section	Technopolymer
Flow switch body	Technopolymer
Discharge manifold	Technopolymer
Non-return valve	Technopolymer/Rubber/Steel
Tank	Technopolymer/Rubber
Pressure sensor body	Technopolymer

Hydraulic data (duty point)

 Flow :
 Head :

Dimensions in mm

--	--	--	--	--	--	--	--

Weight : 27 kg

Pump connection

 Suction side : 1 " G / 8 bar (800 kPa)
 Discharge side : 1 " G / 8 bar (800 kPa)

Motor data

 Power input P1 : 1.55 kW
 Rated speed : 3000 rpm
 Rated voltage : 1~ 220-240 V 50 Hz
 Nominal current : 10 A
 Degree of protection : IP X4



PERFORMANCE CURVES

15/12/2015

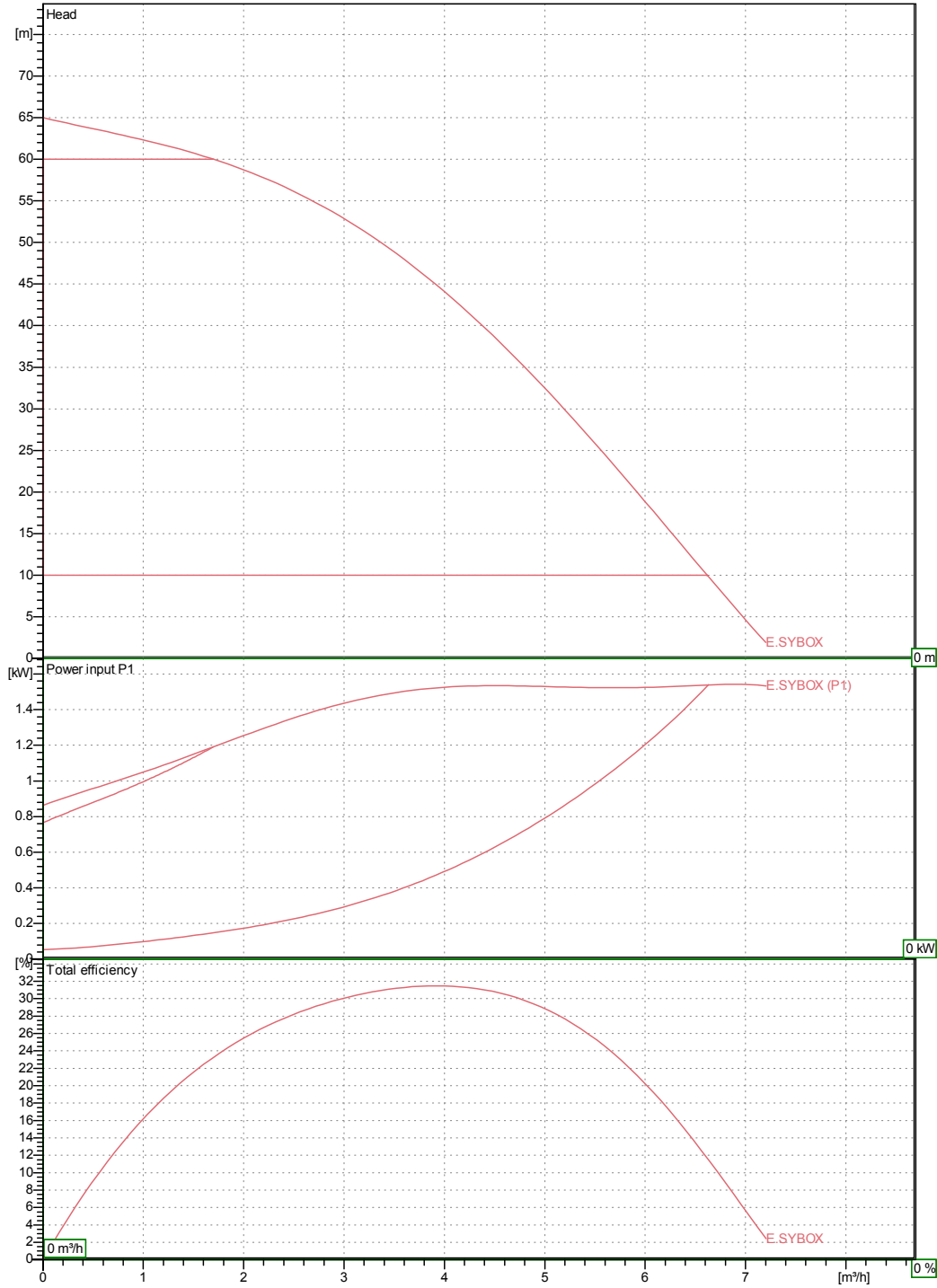
Page 2 / 3

DAB PUMPS S.p.A.
Via Marco Polo, 14 - 35035 Mestrino (PD), Italy
Tel. +39 049 5125000 - Fax +39 049 5125950
www.dabpumps.com

Society Reference Address Phone Fax E-mail	Receiver	From

E.SYBOX

Curve tolerance according to ISO 9906



Hydraulic data (duty point)

Suction side : 1 " G 8 bar (800 kPa)	Discharge side : 1 " G 8 bar (800 kPa)	Flow : 0 m³/h	Head : 0 m	Rated speed : 3000 rpm
Project	Project ID	Created by	Created on 15/12/2015	

