



DATA SHEET

DAB PUMPS S. p. A.
Via Marco Polo, 14 - 35035 Mestrino (PD) - Italy
Ph. +39 049 9048811 - Fax +39 049 9048847
Http://www.dabpumps.com

2010-09-06

Page 3 / 8

Receiver

From

Societa
Reference
Address
Telephone
Fax
E-mail

Item no. 500115720

Pump data :

Model :
1 KVCX 60/120 T
Pressure rating : 10 bar (1000 KPa)
Min. fluid temperature : -10 °C
Max. fluid temperature : 50 °C
Max. Temperature operating : 40 °C

Requested data :

Flow 0,00 m³/h
Head 0,00 m
Fluid : Water, pure
Fluid Temperature : 20 °C
Density : 998,3 kg/m³
Kinematic viscosity 1,005 mm²/s
Vapor pressure : 2,34 kPa

Hydraulic data (duty point)

Flow

Head

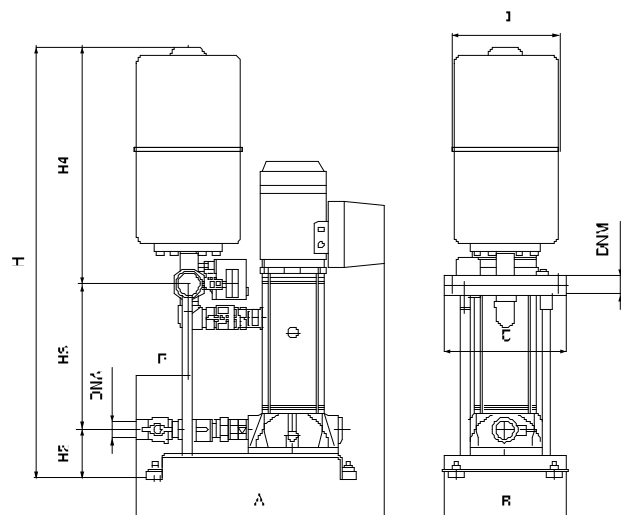
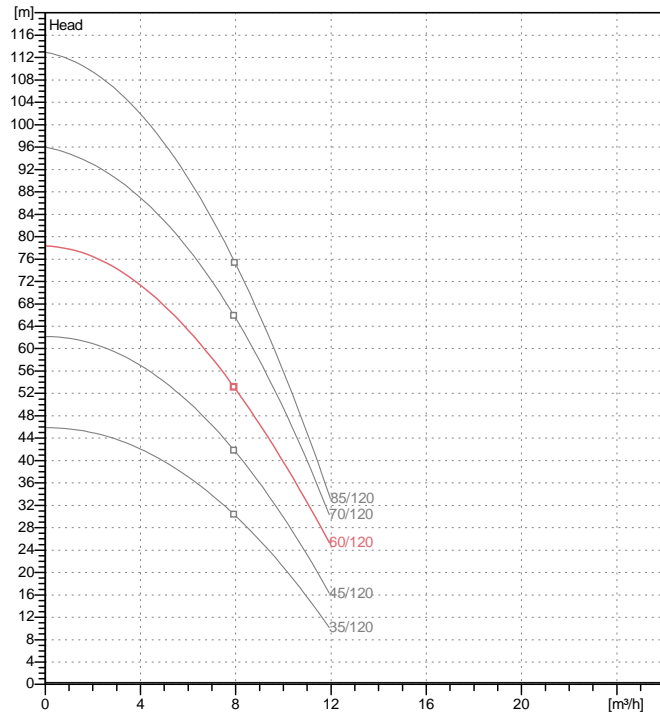
Motor data principal pump :

Trade mark DAB
Nominal power P2: 2,2 kW
Rated speed: 2800 rpm
Rated voltage : 3~ 400 V 50 Hz
Nominal current : 4,5 A
Degree of protection : IP 55

Dimension mm

A	630		
B	300		
C	300		
D	260		
H	995		
H2	120		
H3	265		
H4	610		
P	130		

Curve tolerance according to ISO 9906



Weight : 36 kg

Pump connection

Suction side 1 " 1/4 / 10 bar (1000 KPa)
Discharge side 1 " 1/4 / 10 bar (1000 KPa)



PERFORMANCE CURVES

2010-09-06

Page 4 / 8

DAB PUMPS S. p. A.
Via Marco Polo, 14 - 35035 Mestrino (PD) - Italy
Ph. +39 049 9048811 - Fax +39 049 9048847
Http://www.dabpumps.com

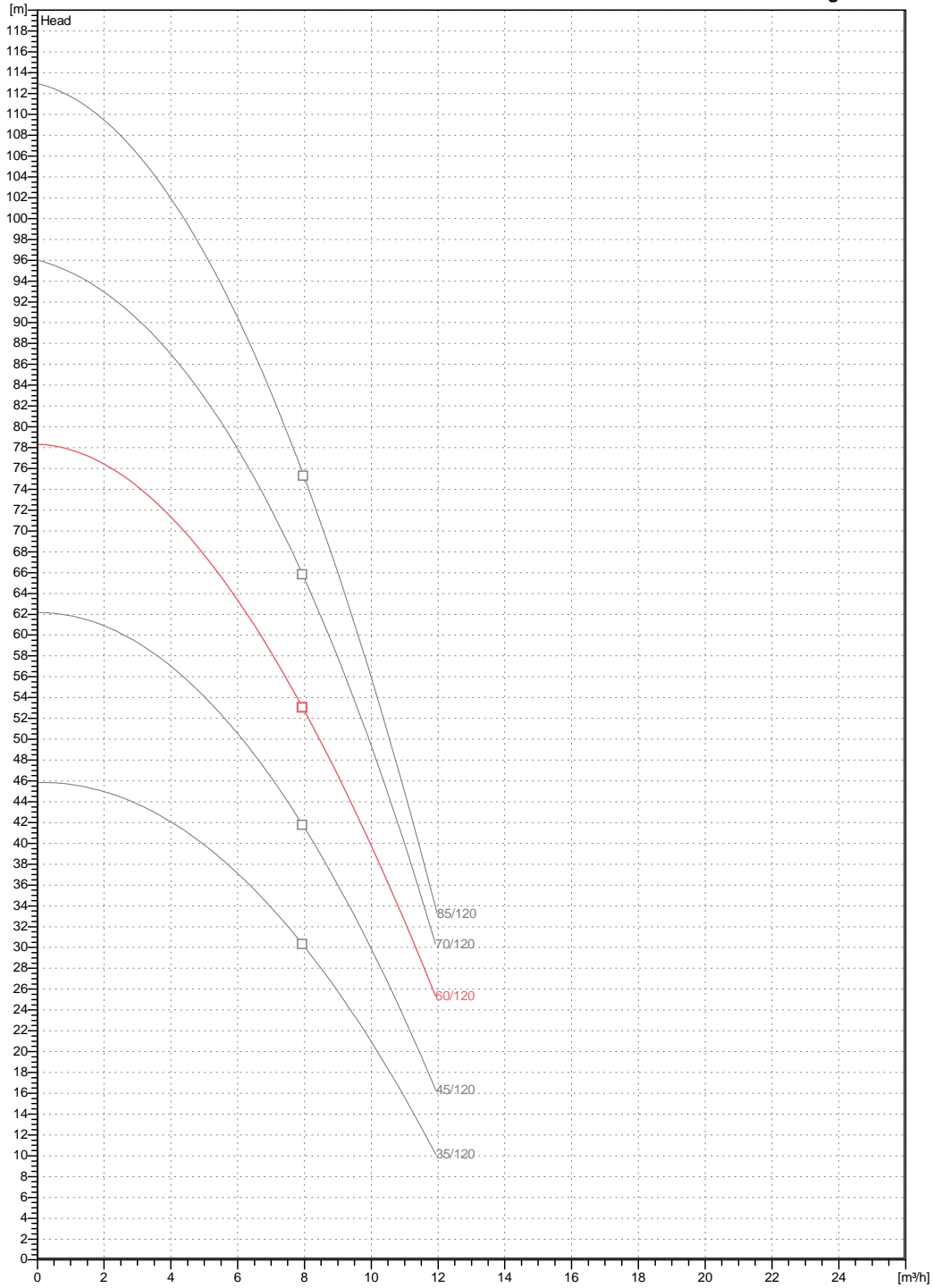
Receiver

From

Societa
Reference
Address
Telephone
Fax
E-mail

1 KVCX 60/120 T

Curve tolerance according to ISO 9906



Hydraulic data (duty point)

Suction side 1 " 1/4/ 10 bar (1000 KPa)	Discharge side 1 " 1/4/ 10 bar (1000 KPa)	Flow 0 m³/h	Head 0 m	Speed 2800 rpm
Project	Project ID	Created by	Created on 2010-09-06	



DIMENSIONAL DRAWING

2010-09-06

Page 5 / 8

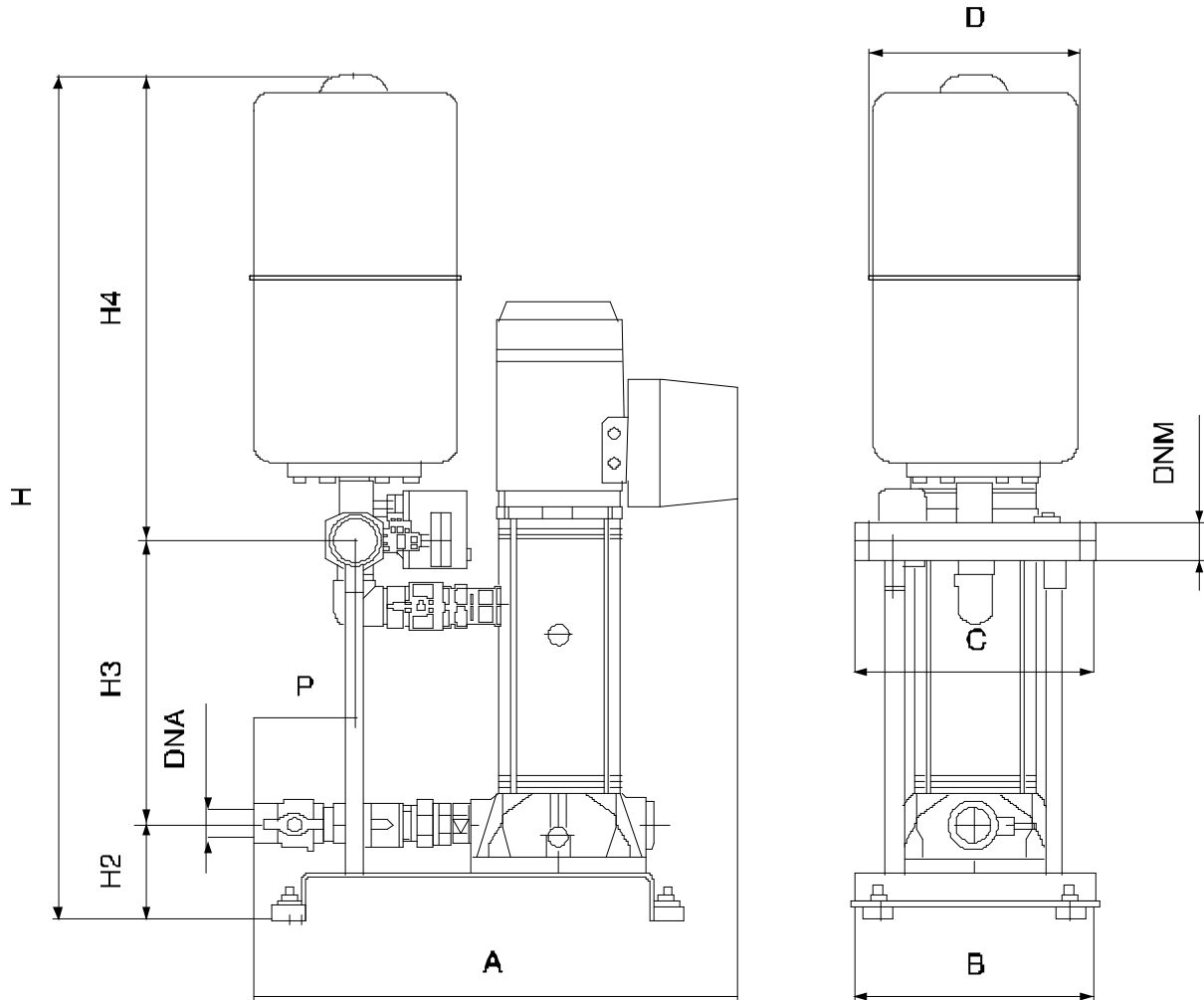
DAB PUMPS S. p. A.
Via Marco Polo, 14 - 35035 Mestrino (PD) - Italy
Ph. +39 049 9048811 - Fax +39 049 9048847
Http://www.dabpumps.com

Receiver

From

Societa
Reference
Address
Telephone
Fax
E-mail

1 KVCX 60/120 T



Dimensions in mm

Pump connection

1	A	630								
2	B	300								
3	C	300								
4	D	260								
5	H	995								
6	H2	120								
7	H3	265								
8	H4	610								
9	P	130								

Suction
1 " 1/4
10 bar (1000 KPa)

Discharge
1 " 1/4
10 bar (1000 KPa)

Project

Project ID

Created by

Created on

2010-09-06



DATA SHEET

DAB PUMPS S. p. A.
Via Marco Polo, 14 - 35035 Mestrino (PD) - Italy
Ph. +39 049 9048811 - Fax +39 049 9048847
Http://www.dabpumps.com

2010-09-06

Receiver

From

Societa
Reference
Address
Telephone
Fax
E-mail

Item no. 500115720

Pump data :

Model :
1 KVCX 60/120 T
Pressure rating : 10 bar (1000 KPa)
Min. fluid temperature : -10 °C
Max. fluid temperature : 50 °C
Max. Temperature operating : 40 °C

Requested data :

Flow 0,00 m³/h
Head 0,00 m
Fluid : Water, pure
Fluid Temperature : 20 °C
Density : 998,3 kg/m³
Kinematic viscosity 1,005 mm²/s
Vapor pressure : 2,34 kPa

Hydraulic data (duty point)

Flow
Head

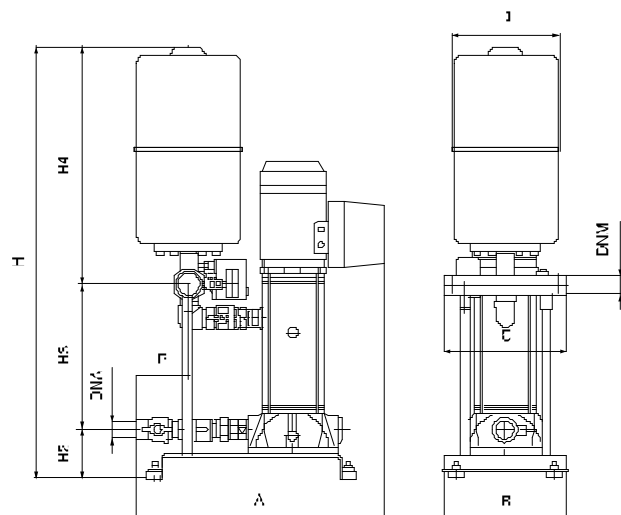
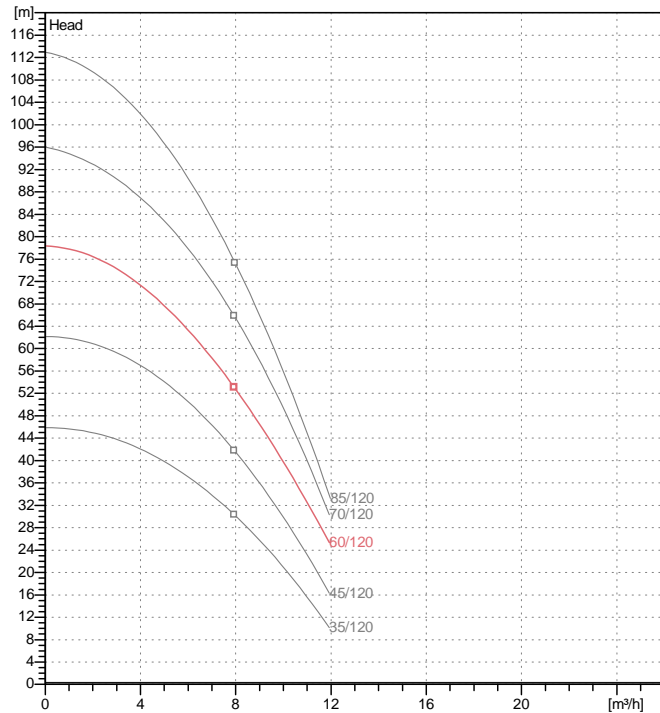
Motor data principal pump :

Trade mark DAB
Nominal power P2: 2,2 kW
Rated speed: 2800 rpm
Rated voltage : 3~ 230 V 50 Hz
Nominal current : 4,5 A
Degree of protection : IP 55

Dimension mm

A	630
B	300
C	300
D	260
H	995
H2	120
H3	265
H4	610
P	130

Curve tolerance according to ISO 9906



Weight : 36 kg

Pump connection

Suction side 1 " 1/4 / 10 bar (1000 KPa)
Discharge side 1 " 1/4 / 10 bar (1000 KPa)



PERFORMANCE CURVES

2010-09-06

DAB PUMPS S. p. A.
Via Marco Polo, 14 - 35035 Mestrino (PD) - Italy
Ph. +39 049 9048811 - Fax +39 049 9048847
Http://www.dabpumps.com

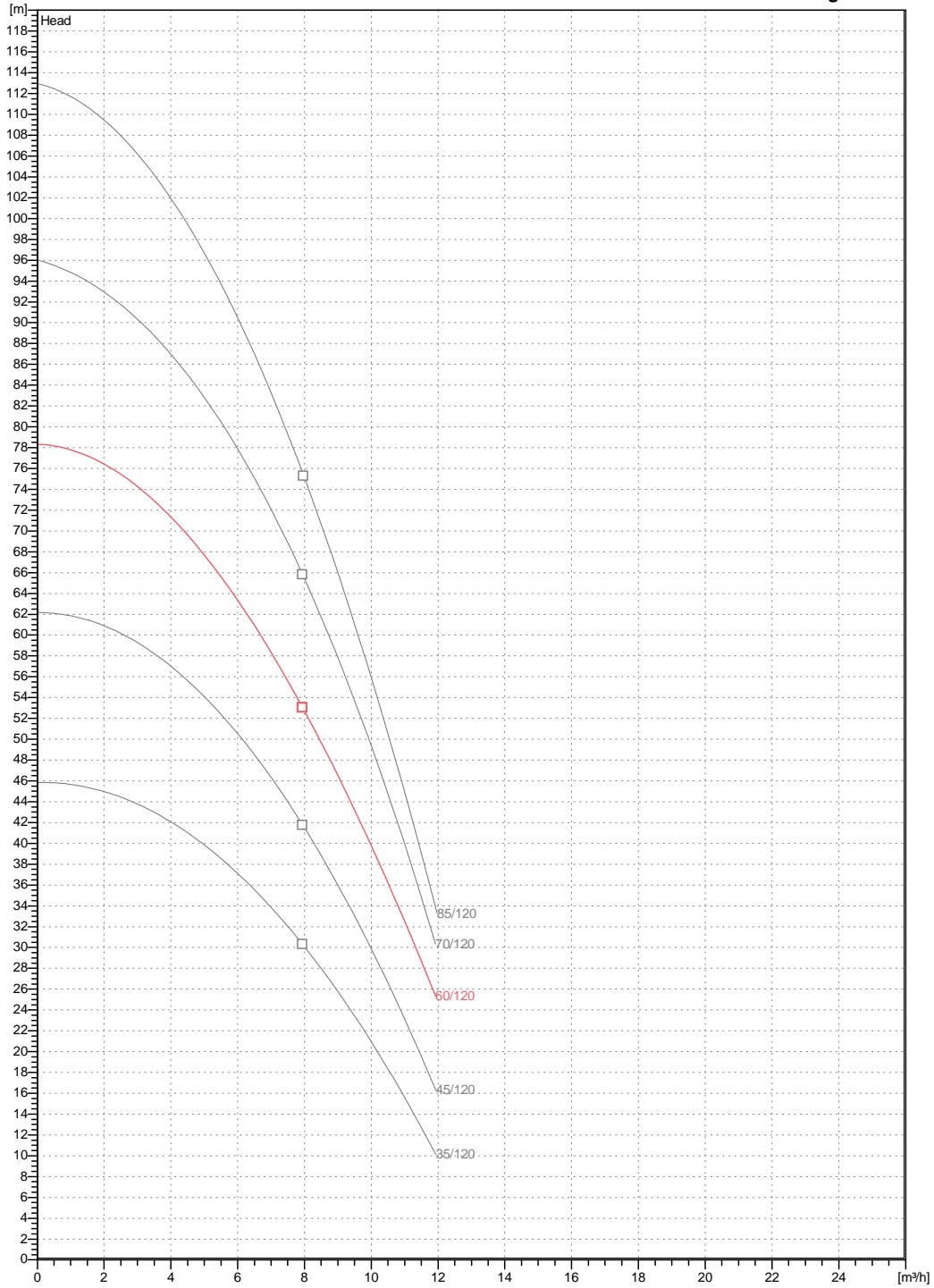
Receiver

From

Societa
Reference
Address
Telephone
Fax
E-mail

1 KVCX 60/120 T

Curve tolerance according to ISO 9906



Hydraulic data (duty point)

Suction side 1 " 1/4/ 10 bar (1000 KPa)	Discharge side 1 " 1/4/ 10 bar (1000 KPa)	Flow 0 m³/h	Head 0 m	Speed 2800 rpm
Project	Project ID	Created by	Created on 2010-09-06	



DIMENSIONAL DRAWING

2010-09-06

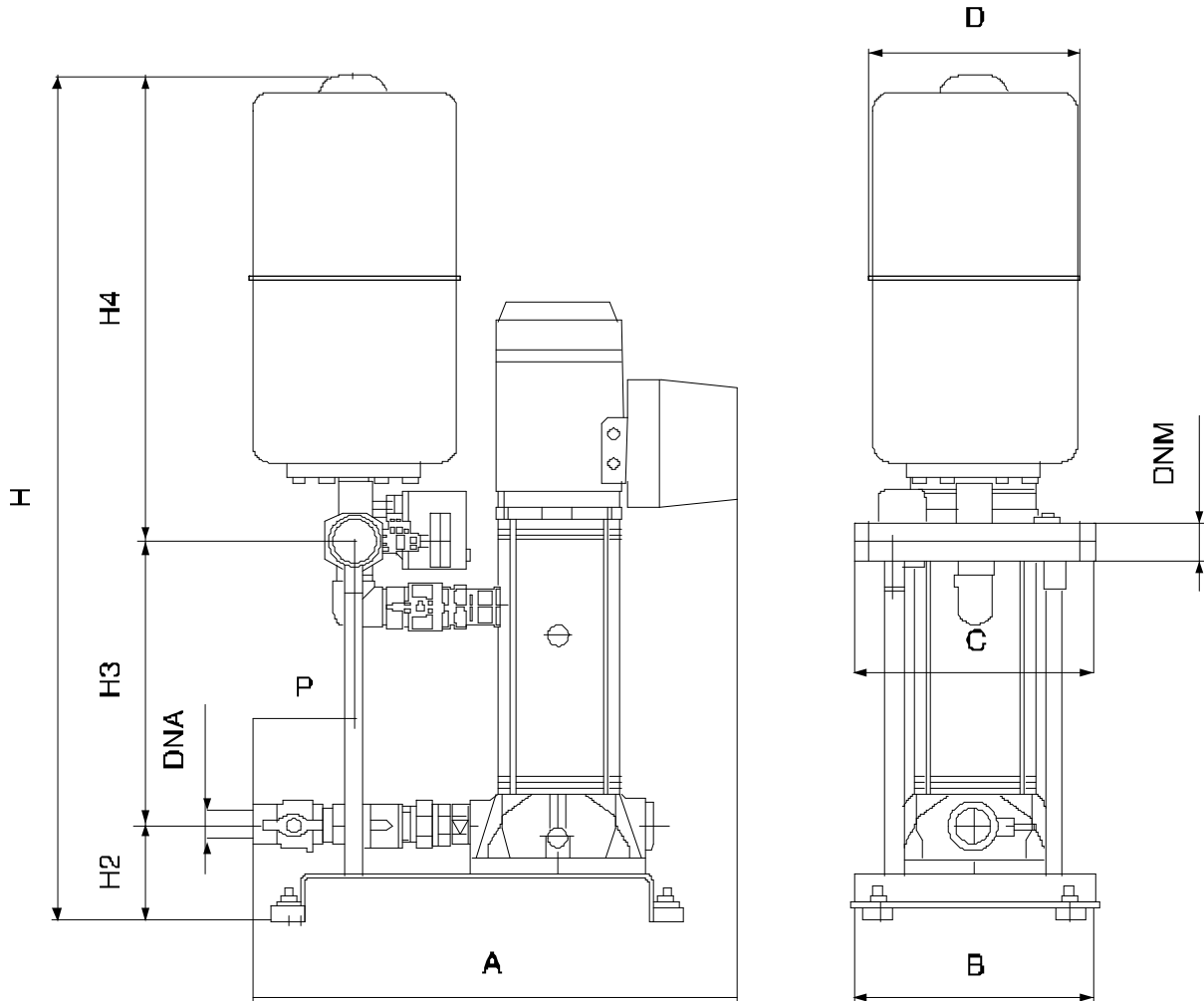
DAB PUMPS S. p. A.
Via Marco Polo, 14 - 35035 Mestrino (PD) - Italy
Ph. +39 049 9048811 - Fax +39 049 9048847
Http://www.dabpumps.com

Receiver

From

Societa
Reference
Address
Telephone
Fax
E-mail

1 KVCX 60/120 T



Dimensions in mm

Pump connection

1	A	630								
2	B	300								
3	C	300								
4	D	260								
5	H	995								
6	H2	120								
7	H3	265								
8	H4	610								
9	P	130								

Suction
1 " 1/4
10 bar (1000 KPa)

Discharge
1 " 1/4
10 bar (1000 KPa)

Project

Project ID

Created by

Created on

2010-09-06